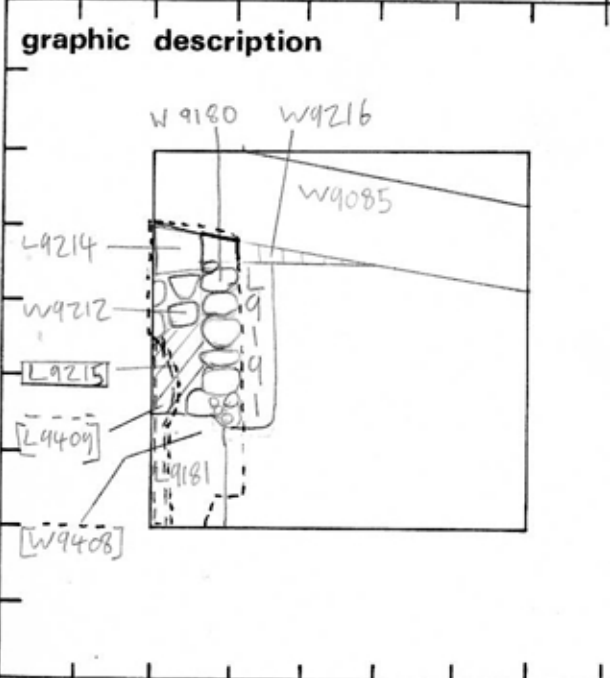






CARD 2  
 TEL DOR 1989 field G square AJ.3.4 phase (in area):  
 date opened 24/07/89 level 1440 date closed 26/07/89 level 1407 floor level \_\_\_\_\_ type of locus Stratified accumulation  
 loci above W9187 L9214 loci below W9408 L9409 sealed by \_\_\_\_\_  
 LOCUS Card 2 L9215



section

- photos
- reason for opening
  - definition / limits
  - reason for closing
  - relation to other elements
  - working photos, nos:
  - publication photos
  - architects permission
- written by Sohna Velding-Sloem checked by J. Zorn

final locus no.	arch. unit / logical area	stage (in sq.)	final STRATUM
_____	_____	_____	_____

Summary:

Description: Opened: see card #1

Definition/Limits: see card #1

Matrix: Mudbricks w/ grey / ashy material, near the Western Bank.

Reason For Closing: excavated down to lowest level of W9408, which extends beneath L9215. Ashy grey material (continuation of pit L9181 as it bottoms out) given L9409.

Relationship to Other Elements: L9215 is cut by W9212, W9180, and L9181. L9215 covers W9408 and L9409. L9187 covers L9215. L9215 is of the same matrix as L9214, L9538, and W9408, therefore it is part of the

upper courses of the mudbrick W9408

