

Locus <u>L9025</u>	Dor 19 <u>91</u>	Fld <u>G</u>	Sq <u>A.133</u>	Loc. type <u>Drain</u>
Open <u>1,7,07,91</u>	High <u>15.82</u>	at <u>E</u>	Low <u>14.97</u>	at <u>W</u>
Close <u>1,5,07,91</u>				
Floor: type <u>—</u>	Width <u>0.6</u>	Vol <u>—</u>	Drawn? <u>—</u>	
Length <u>1.2</u>	Remove <u>1,5,07,91</u>			
Photo # (1) <u>70297</u>	Photo # (2) <u>70298</u>			
Written by: <u>RSS</u>	Checked by: <u>JRZ</u>			

Unit	Phase	Stage	Stratum	PoM
------	-------	-------	---------	-----

Summary

Opened: When L9111 was removed an earlier drain channel was defined as part of L9025.

Limits (N) L9111

(S) See A132 card for

(E) See A132 card

(W) See A132 card.

Closed: When removed.

Matrix: Several large double-head size cobbles; several head size and smaller cobbles. Very light grey, odd, and cement, soil, and cement.

Relations: See A132 card for all previous relations. L9025 ditch, seals, covers, and pits "bats's bowel" the Persian pit L9664, L9025 cuts and covers the southern Hipchofdehndtbeich ditch in L9694. The southern tip of L9111 sits inside of and is built on top of L9025 (see section). The part of L9111 in L9112 named "Rambling Pyramid" cobbles on the central drainage interchange for the tell (see L9911 addition card for L9111 in A132) L9025 forms a wide channel here, so when it dovetails with L9111, L9025 was certainly built before this section of L9111 - whether by minutes or years is uncertain. Additional photo numbers are 70301 and 70302, 70299 and 70300

Additional Observations/Value: Wide Roman drain reused to house L9111. Seals L9664, a Persian Pit.

LOCUS L9025 BASKET LIST

basket no.	level	str def	cont	R ±	periods	comments
90084	1535	1201	0	12		rooftiles 06-02
90089	1535	1211				bone
90092	1535	1213				glass
90095	1535	1207				Hymetan marble veneer
90097	1535	1211				bone
90098	1530	1201	2	02		rooftile, some 05; indicatives kept.
90101	1530	1211				bone
90102	1530	1213				glass
90113	1530	1201	2	02		rooftile, indicatives kept
90114	1530	1208				round, small stone.
90115	1530	1209				small clay object
90133		1201	2	02		lamp 2nd c. A.D.
90135		1211				bone
90151		1201	2	02		lamp 2nd c. A.D.
90166		1211				bone

The walls of drain 9025 cut the proposed P.P.R.  
 and rubble wall of which pier 9052 is part.  
 The stones of L9052 penetrated from L9025 by  
 earth. L9025 rests directly on the westward  
 F9044 at the N and floors at the S. L9025  
 rests directly on the stones of W 9051.

TEL DOR 1987

field G1square A, I, 3, 2

phase (in sq.):

LOCUS L9,02,5 <sup>Card 1</sup>

date opened

level 15,90-

date closed

level 15,23

floor level

type of locus DRAIN -10/07/8715,8205/08/8715,2315,40 - 15,36

AND MATERIAL IN IT.

loci above

9000, 9082,

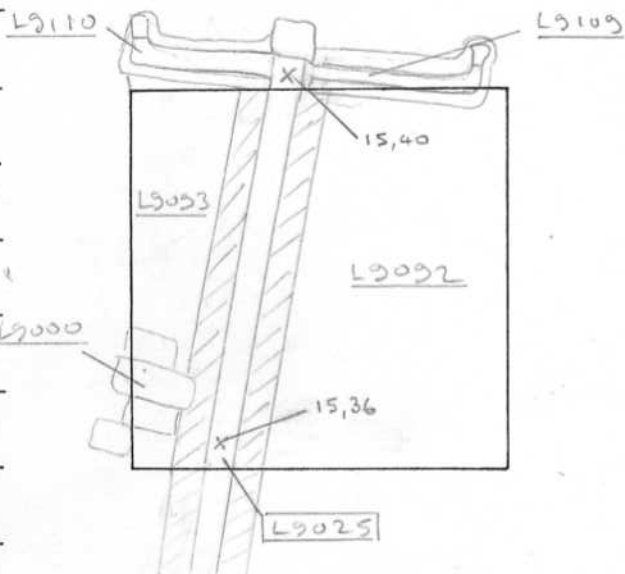
loci below.

| | | | , | | | | ,

sealed by

| | | | , | | | | ,

## graphic description



final locus no. arch. unit/logical area stage (in sq) final STRATUM

REASON FOR OPENING DISCOVERY OF DRAIN L9025 EXTENDING FROM SQUARE A I 31 ACROSS THE SQUARE N-S.

DEFINITION/LIMITS EXTENDS FROM SOUTHERN BANK TO NORTHERN BANK BOUNDED BY L9093 ON THE WEST, AND L9092 ON THE EAST. THE DRAIN ITSELF CONSISTS OF TWO WALLS (SOME SEEMS DEEP AND 36-48 CM THICK) AND A FLOOR OF POURED CEMENT, PLASTERED INSIDE.

MATRIX MATERIAL INSIDE DRAIN WAS YELLOWISH SAND, WITH MANY SHEARDS, + BONES, AND SOME LARGISH FIELDSTONES - (FIRST/DUBLE FIRST-SIZED) THE MATERIAL IN THE DRAIN WAS SCREENED. NO CAPSTONES - NONE OF THE MATERIAL IN DRAIN WAS SEALED.

REASON FOR CLOSING END OF SEASON - NOT CLOSED

RELATION TO OTHER ELEMENTS THE DRAIN LIES BELOW PAVEMENT

L9000, AND WTS L9092 (AND L9099 <sup>IDENTICAL MATERIAL</sup> BELOW IT) TO THE EAST

AND L9093 (AND L9138 <sup>IDENTICAL MATERIAL</sup> BELOW IT) TO THE WEST.

DRAINS L9109 AND L9110 ARE BUILT INTO THE WALLS OF DRAIN L9025 AND ARE THUS CONTEMPORANEOUS WITH IT. L9082 (TOPSOIL) OVERLAY THE WHOLE OF DRAIN L9025.

COMMENTS THE WALLS OF THE DRAIN CONSIST OF LARGE BLOCKS COVERED WITH CEMENT AND SMOOTHED - THE INTERIOR OF THE DRAIN IS PLASTERED. THE DRAIN FLOWS NORTH-SOUTH. THE FEEDER DRAINS L9109 AND L9110, WHICH FLOW INTO L9025 BOTH SEEM TO HAVE SERVED BUILDINGS, ONE WHICH STOOD ON THE

## photos

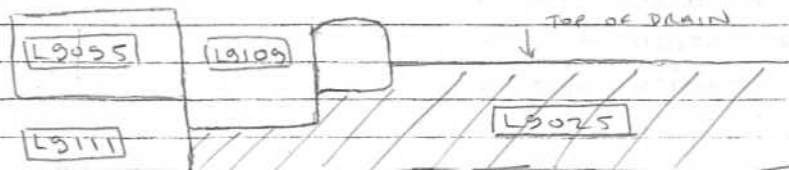
please check (+or-) when closing locus:

- reason for opening
- definition/ limits
- reason for closing
- relation to other elements
- working photos, nos: 8735.1108  
8735.1109  
8735.1110
- publication photos
- architect's permission

LOCUS ≤ 9.0.25 BASKET LIST

basket no.	level	str def	cont	R ±	periods	comments
90929	1536	120	1202			Cleaning drain; roof tiles
90938	1536	121				Bones; Cleaning drain
90939	1536	1213				Glass; cleaning drain
90954	1536	1208				Stone bead: Corrosion?
90963	1540	1217				Lamp fragment
90964	1540	1201	20402			Latest = 02
90965	1540	1211				Bones
90966	1540	1213				Glass
90975	1540	1201	212			Latest kept - 02 (S)
90976	1540	1211	(S)			Bones
90977	1540	1213	(S)			Glass
90985	1540	1208	(S)			Cut stone
90990	1540	1209	(S)			Nail
90993	1540	1208	(S)			Stone
90998	1540	1205	(S)			Iron arrowhead (?)
90999	1540	1204	(S)			Brass coin
91000	1540	1208	(S)			Spindle wheel (?)
91002	1540	1205	(S)			Lump of iron
91010	1540	1201	(S) 12			05-02; all indicative kept.
91011	1540	1211	(S)			Bones
91012	1540	1213	(S)			Glass
91016	1540	1204	(S)			Brass pin
91036	1540	1205	(S)			Iron

SINCE DRAIN [L9111] IS CONSTRUCTED DIFFERENTLY FROM DRAIN [L9025] (IT ISN'T PUGGED CEMENT CONSTRUCTION) AND IS ON A SLIGHTLY DIFFERENT ALIGNMENT, IT PRESUMABLY MARKS THE END OF THE SQUARE, AND WHERE A SIDE STREET ENTERS THE MAIN PLAZA BETWEEN TWO LARGE BUILDINGS.



TEL DOR

19 89

field

G

square

AI3.2

phase (in area):

LOCUS

card 2  
L9025

date opened

10/07/87

level

15.90 - 15.82

date closed

14/07/89

level

15.43 - 15.34

floor level

15.43 - 15.34

type of locus

Drain

loci above

L9000 L9082

loci below

L9419 W9051

sealed by

graphic description



section

photos

- reason for opening
- definition / limits
- reason for closing
- relation to other elements
- working photos, nos:
- publication photos
- architects permission

final locus no.

arch. unit / logical area

stage (in sq.)

final STRATUM

Summary:

Description:

Opening Drain L9025 discovered in AI 32 in 1986, more of it in AI 32 in 1987 season.

Def & Limits Bounded on S by continuation of drain L9025 in Sq AI 31; To N, intersects drain L9111; to E, intersects drain L9109 and borders L9375, L9092, L9099, & W9051; to W, partly covered by, L9000 & bordered by L9093 & L9138.

Matrix Parallel walls comprised of single course of ashlar blocks resting on pedestal of cement, rubble, and earth. Drain channel paved with cement. Height of walls ca. 50 cm. Very little pottery found. For dimensions, see card 1.

Closing Removal of drain L9025 from Sq. AI 32

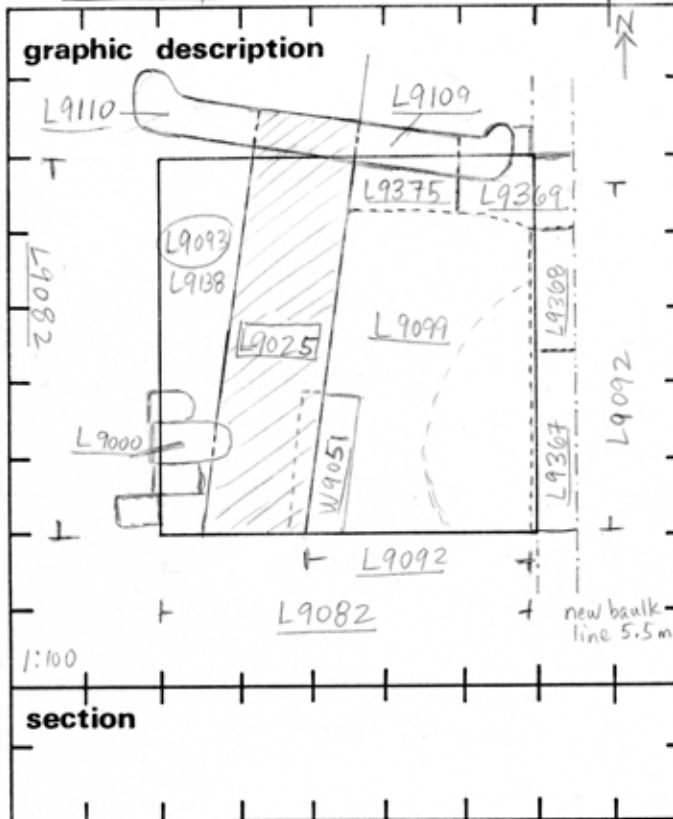
Relation Topsoil L9082 completely covered drain L9025. To W, lies below pavement L9000 (removed) & presumably cuts fill & floor of L9093 & fill of L9138 (floor L9093 seen only in W bank in AI 32). Level of floor of L9093 is 15.55. To E, probably cuts fills of L9092 & L9099. To N, drains L9110 & L9109 (both removed) built into drain L9025 and so contemporary. Floor of L9025 lower than that of L9109 (= 15.65 to 15.63). To E, built on top of W9051. To S, drain L9025 continues into Sq. AI 31.



TEL DOR 19 89 field G square AI32 LOCUS L9025

date opened 10/07/87 level 15.90-15.82 date closed 14/07/89 level 15.43-15.34 floor level 15.43-15.34 type of locus Drain

loci above L9000 L9092 loci below L9419 W9051 sealed by \_\_\_\_\_



final locus no.	arch. unit / logical area	stage (in sq.)	final STRATUM
-----------------	---------------------------	----------------	---------------

**Summary:**

**Description:**

Opening/Drain [L9025] discovered in AI 32 in 1986, more of it in AI 32 in 1987 season.

Def & Limits Bounded on S by continuation of drain [L9025] in Sq AI 31. To N, intersects drain [L9110]; to E, intersects drain [L9109] and borders [L9375], [L9092], [L9099], & [W9051]; to W, partly covered by [L9000] & bordered by [L9093] & [L9138].

Matrix Parallel walls comprised of single course of ashlar blocks resting on pedestal of cement, rubble, and earth. Drain channel paved with cement. Height of walls ca. 50 m. Very little pottery found. For dimensions, see card 1

Closing Removal of drain [L9025] from Sq. AI 32

Relation Topsoil [L9082] completely covered drain [L9025]. To W, lies below

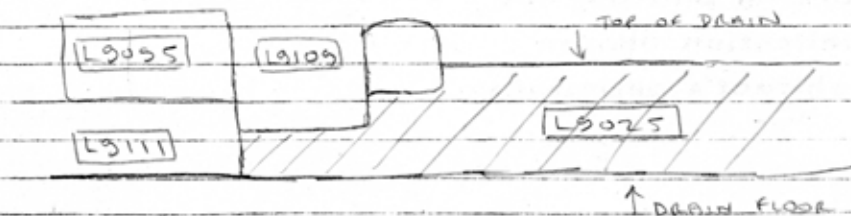
- photos**
- reason for opening
  - definition / limits
  - reason for closing
  - relation to other elements
  - working photos, nos:
  - publication photos
  - architects permission
- written by R Talman checked by J Zorn

bavement [L9000] (removed) & presumably cuts fill & floor of [L9093] & fill of [L9138] (floor L9093 seen only in W bulk in AI 32). Level of floor of [L9093] is 15.55. To E, probably cuts fills of [L9092] & [L9099]. To N, drains [L9110] & [L9109] (both removed) built into drain [L9025] and so contemporary. Floor of [L9025] lower than that of [L9109] (= 15.65 to 15.63) To E, built on top of [W9051] To S, drain [L9025] continues into Sq. AI 31.

basket no.	level	str def	cont	R + -	periods
90929	1536	1201	202		
90938	1536	1211			
90939	1536	1213			
90954	1536	1208			
90963	1540	1217			
90964	1540	1201	20402		
90965	1540	1211			
90966	1540	1213			
90975	1540	1201	212		
90976	1540	1211	(S)		
90977	1540	1213	(S)		
90985	1540	1208	(S)		
90990	1540	1209	(S)		
90993	1540	1208	(S)		
90998	1540	1205	(S)		
90999	1540	1204	(S)		
91000	1540	1208	(S)		
91002	1540	1205	(S)		
91010	1540	1201	(S)12		
91011	1540	1211	(S)		
91012	1540	1213	(S)		
91016	1540	1204	(S)		
91036	1540	1205	(S)		

Cleaning drain; roof tiles  
 Bones; cleaning drain  
 Glass; cleaning drain  
 Stone beads. Corrosion?  
 Lava fragment  
 Latest = 02  
 Bones  
 Glass  
 Latest kept - 02 (S)  
 Bones  
 Glass  
 Cut stone  
 Nail  
 Stone  
 Iron arrowhead (?)  
 Bronze coin  
 Spindle wheel (?)  
 Lump of iron  
 05-02; all indicative kept.  
 Bones  
 Glass  
 Bronze pin  
 Iron

SINCE DRAIN [L9111] IS CONSTRUCTED DIFFERENTLY FROM DRAIN [L9025] (IT ISN'T POURED CEMENT CONSTRUCTION) AND IS ON A SLIGHTLY DIFFERENT ALIGNMENT, IT PRESUMABLY MARKS THE END OF THE SQUARE, AND WHERE A SIDE STREET ENTERS THE MAIN PLAZA BETWEEN TWO LARGE BUILDINGS.





TEL DOR

1987

field

G1

square

A I, 32

phase (in sq.):

LOCUS

Card 1  
L 9, 0, 2, 5

date opened

10/07/87

level

15,90

15,82

date closed

05/08/87

level

15,23

floor level

15,40 - 15,36

type of locus DRAIN

AND MATERIAL IN IT.

loci above

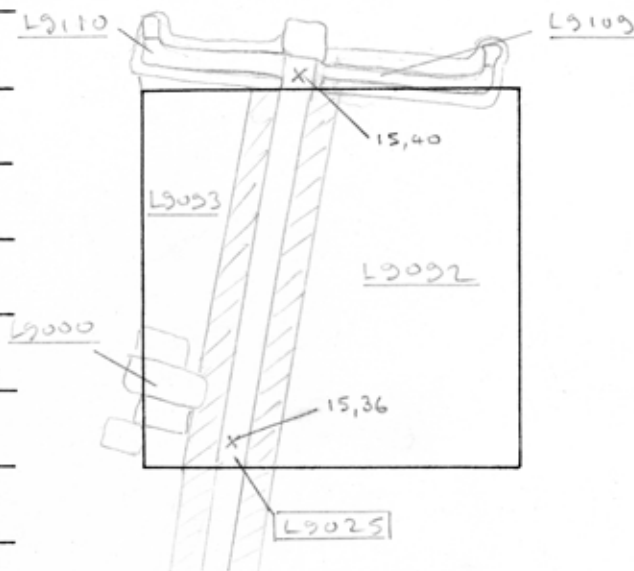
2,090, 2,082,

2,109, 2,110,

loci below.

sealed by

graphic description



final locus no.

arch. unit/logical area

stage (in sq.)

final STRATUM

REASON FOR OPENING DISCOVERY OF DRAIN [L9025] EXTENDING FROM SQUARE AI 31 ACROSS THE SQUARE N-S.

DEFINITION/LIMITS EXTENDS FROM SOUTHERN BANK TO NORTHERN BANK BOUNDED BY [L9093] ON THE WEST, AND [L9092] ON THE EAST. THE DRAIN ITSELF CONSISTS OF TWO WALLS (SOME 55 CM DEEP AND 36-48 CM THICK) AND A FLOOR OF POURED CEMENT, PLASTERED INSIDE.

MATRIX MATERIAL INSIDE DRAIN WAS YELLOWISH SAND, WITH MANY SHARDS, BONES, AND SOME LARGE FIELDSTONES - (FIST/DOUBLE FIST-SIZED). THE MATERIAL IN THE DRAIN WAS SCREENED. NO CAPSTONES - NONE OF THE MATERIAL IN DRAIN WAS SEALED.

REASON FOR CLOSING END OF SEASON - NOT CLOSED

RELATION TO OTHER ELEMENTS THE DRAIN LIES BELOW PAVEMENT [L9000], AND LITS [L9092] (AND [L9099] <sup>IDENTICAL MATERIAL</sup> BELOW IT) TO THE EAST AND [L9093] (AND [L9138] <sup>IDENTICAL MATERIAL</sup> BELOW IT) TO THE WEST.

DRAINS [L9109] AND [L9110] ARE BUILT INTO THE WALLS OF DRAIN [L9025] AND ARE THUS CONTEMPORANEOUS WITH IT. [L9082] (TOPSOIL) OVERLAY THE WHOLE OF DRAIN [L9025].

COMMENTS THE WALLS OF THE DRAIN CONSIST OF LARGE BLOCKS COVERED WITH CEMENT AND SMOOTHED - THE INTERIOR OF THE DRAIN IS PLASTERED. THE DRAIN FLOWS NORTH-SOUTH. THE FEEDER DRAINS [L9109] AND [L9110], WHICH FLOW INTO [L9025] BOTH SEEM TO HAVE SERVED BUILDINGS, ONE WHICH STOOD ON THE FOUNDATION [L9003] ('THE GLOB' IN AI 33, AND ONE WHICH IS ONLY REPRESENTED NOW BY [L9096] IN AI 33.

photos

please check (+or-) when closing locus:

- reason for opening
- definition/ limits
- reason for closing
- relation to other elements
- working photos, nos: 8735.1108  
8735.1109  
8735.1110
- publication photos
- architect's permission

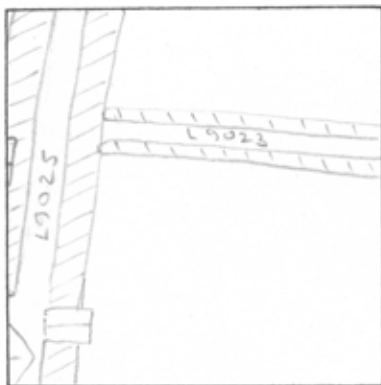
basket no.	level	str def	cont	R +	periods	comments
90084	1535	1201	0	12		rooftiles 06-02
90089	1535	1211				bone
90092	1535	1213				glass
90095	1535	1207				Hymettan marble veneer
90097	1535	1211				bone
90098	1530	1201	2	02		rooftile, some 05; indicatives kept.
90101	1530	1211				bone
90102	1530	1213				glass
90113	1530	1201	2	02		rooftile, indicatives kept
90114	1530	1208				round, small stone.
90115	1530	1209				small clay object
90133		1201	2	02		lamp 2 <sup>nd</sup> c. A.D.
90135		1211				bone
90151		1201	2	02		lamp 2 <sup>nd</sup> c. A.D.
90166		1211				bone
						<p>The walls of drain 9025 cut the proposed pier and Rubble wall of which pier 9052 is part. The stones of L9052 separated from L9025 by earth. L9025 rests directly on the rubblestone of F9044 at the N and floors at the S. L9025 rests directly on the stones of W 9051.</p>

TEL DOR 1986 field 51 square AI.31 phase (in sq.): L9025 LOCUS L9025

date opened 11/07/86 level 15.89 date closed      level 15.31 floor level      type of locus DRAIN AND MATERIAL IN DRAIN

loci above 9022, 9021 loci below      sealed by     

graphic description



final locus no.      arch. unit/logical area      stage (in sq.)      final STRATUM     

REASON FOR OPENING UNCOVERED TOP OF DRAIN

DEFINITION/LIMITS DRAIN CONSISTED OF 2 CONCRETE WALLS 35-45 CM. IN WIDTH, LINED WITH PLASTER. THE MATERIAL IN THE DRAIN CONSISTED OF FINE SANDY SOIL ABOVE, WITH MANY POTTERY SHEKDS, PIECES OF GONE AND GLASS, BUT LOWER DOWN THE FILL BECAME MORE COMPACT AND PACKED WITH LARGE ROCKS. FLOOR OF DRAIN LINED WITH plaster.

Relation: the paving stones of F9000 that remain in AI31 (sticking out of W baulk and resting on S extension of E wall of 9025) lie directly on the tops of the walls of drain 9025, so presumably F9000 continued to the E, covered entirely drain 9025 and the street square of F9000 were contemporary. The relation to L9023 is less clear. the cement/stones of the E wall of drain 9025 seem to have been poured slightly over the W end of drain 9023 as if 9025 was later than 9023 although this seems slightly irrational.

photos

please check (+ or -) when closing locus:

- reason for opening
- definition/ limits
- reason for closing
- relation to other loci
- working photographs
- publication photographs
- architect's plan

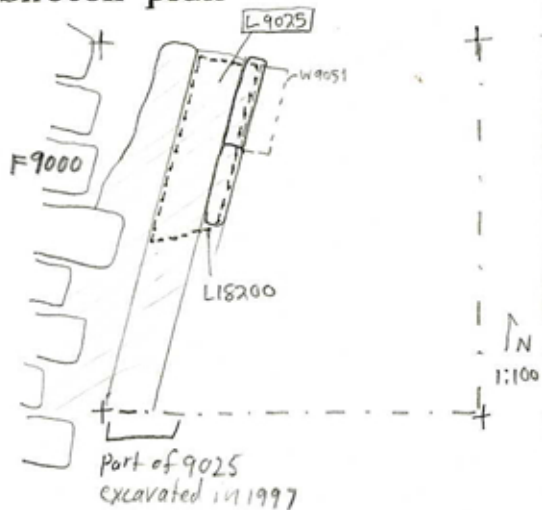


Perhaps they were contemporary. if so, then the top part of drain 9023 would have been above the surface of the paving stones of F9000 - OVER

**LOCUS**

LJ 9025

**Sketch plan**



Photo

Photo

**Section**

**Section**

<b>Locus</b> L 9025	<b>Dor</b> 19/17	<b>Fld</b> G	<b>Sq</b> 11311	<b>Loc. type</b> Roman Drain (Card II)
<b>Date</b>	<b>High at</b>	<b>Low at</b>	<b>Seals:</b>	
Open 07/07/17	15.35 W	15.35 S	18200	
Close 07/07/17	15.03 W	15.01 S	<b>Sealed by:</b>	
<b>Floor: type</b> ie	15.35 W	15.35 S	<b>Loci</b>	
<b>Length</b> 5.0	<b>Width</b> 1.2	<b>Vol</b>	<b>above</b>	
<b>Value</b> 4	<b>Remove</b> / / /	<b>Drawn?</b> Yes	<b>Loci</b>	
<b>Photo # (1)</b>	<b>Photo # (2)</b>	<b>Loci</b>	18200	9051
<b>Written by:</b> JEM	<b>Checked by:</b> JRZ	<b>below</b>		

<b>Unit</b>	<b>Phase</b>	<b>Stage</b>	<b>Stratum</b>	<b>PoM</b>
-------------	--------------	--------------	----------------	------------

**Summary**

Opened: see card 1

Limits (N) See Card 1 for limits  
 (S)  
 (E)  
 (W)

Closed: ~~Some~~ Dismantled <sup>floor and east wall of</sup> L9025. Changed to L18200 below. Western wall of drain L9025 is still preserved in W. balk below pavement F9000

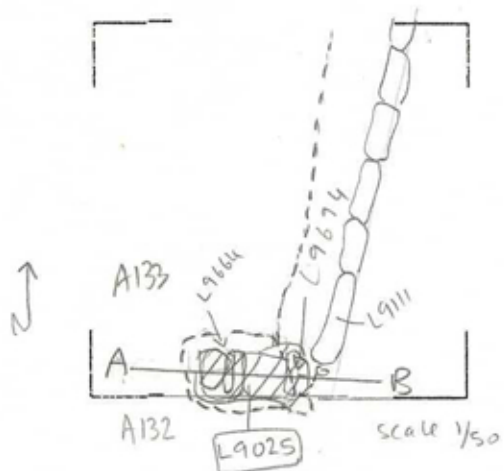
Matrix: see card 1

Relations: See Card 1 for relations [L9025] seals L18200.  
 [L9025] also partially covers W9051

Additional Observations/Value: None

LOCUS  
L 9025

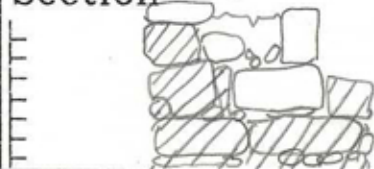
Sketch plan



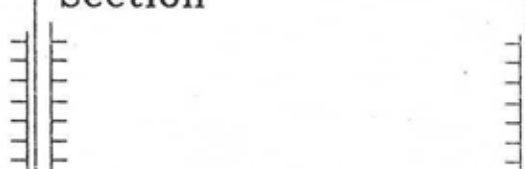
Photo



Section A-B



Section



▨ - L9025

□ - L9111 - "Ram's Pyramid"

1/50 scale