

AREA: MUT-B	GRID SQUARE (S): 101.623. M23 N23.	GRID CO-ORDINATES: E N	INITIALS & DATE: AWT 7 11.	FEATURE No.: 32794.
----------------	---	------------------------------	----------------------------------	------------------------

FEATURE TYPE (For example wall, staircase, bench, foundation structure, platform etc.): WALL -	Full extent visible in plan: YES / <input checked="" type="radio"/> NO
---	---

1. Dimensions (in metres)	Length: N-S = length - 9.68m E-W = length - 8.98m	Width: N-S = 0.86m E-W = 1.30m	Height: N-S = 19.09, 16.83 E-W = 18.14, 17.92
---------------------------	---	--------------------------------------	---

2. Type of material(s) used	SILT-RICH + CLAY MUD-BLOCKS.
-----------------------------	------------------------------

3. Coursing (form of construction)	header to south northern unexposed
------------------------------------	------------------------------------

4. Orientation	N-S + E-W RETURN.
----------------	-------------------

5. Associated collapse	29979?
------------------------	--------

6. Cut & fill feature #'s	—
---------------------------	---

7. Repaired?	NOT SEEN.
--------------	-----------

8. Associated floors	UNSEEN TO N. TO S FLOOR (32834)
----------------------	---------------------------------

9. Surface treatments? E.g. plaster, paint, mouldings	THICK YELLOW LS PLASTER (NOT #60) ALONG E-FACE
---	--

10. Size of one component	370mm x 160mm 350mm x 155mm
---------------------------	--------------------------------

11. Bonding material	SILT-RICH.
----------------------	------------

12. Excavated	Yes <input checked="" type="radio"/> No
---------------	---

<p>Mini stratigraphic matrix</p> <pre> [] 32933 [] [32794] [] 32832 [] </pre>	<p>Abuts: Same as:</p> <p>Abutted by: 33135.</p> <p>Bonded into:</p> <p>Contiguous with: (30249)?</p> <p>Associated features: (30249) = E. COUNTERPART.</p>
---	---

Discussion and interpretation:

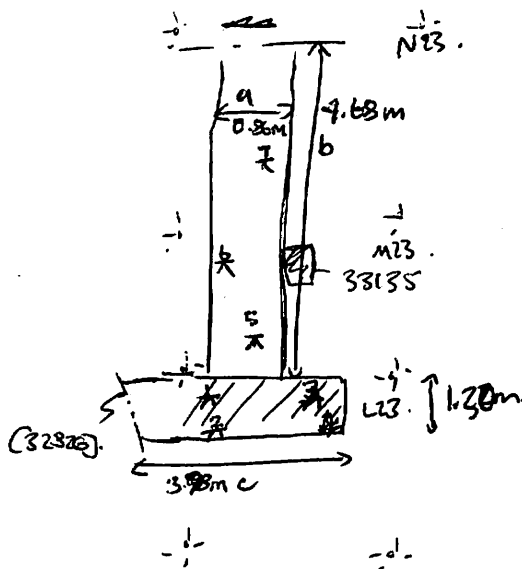
E-W WALL BEHINDS N LIMBS OF CANYON. + EXTENDS/RETURNS N-S TO FORM W-ENCLOSURE OF VESTIBULE TO N-CHASSIS) - MAY BE TWO WALLS - NEEDS FURTHER INVESTIGATION.

ROSS COUNTERPART TO (30249).

ABU ABUTTED BY ROSS BENCH. ALONG E-FACE (33135).

Remember: do not just draw the architectural feature in isolation. Show how it relates to surrounding features and include details of surface treatments, repairs/modifications/damage, bonding material(s), and associated cuts. Annotate all aspects of the feature or use a Drawing Key. Measurements must be included for all aspects of the feature and surrounding features.

Sketch Plan - Include grid co-ordinates, North arrow, and elevations.



a = 0.86m
 b = 4.68m
 c = 3.98m

TL	RL	X	RL
1	18.14	7	19.09
2	18.00		
3	18.05		
4	17.92		
5	18.73		
6	16.99		

Profile Sketch - State direction the elevation of the feature being drawn is facing e.g. 'West Facing Elevation of Feature If feature was drawn in section then include the grid co-ordinates and elevations.

- SOUTHERN LIMITS BADLY WORN, LESS THAN 7 COURSE PRESERVED.

L TO N ONLY ROTATED IN PLAN

Drawing No.'s:
 2011-82

Photo No.'s:

Space No.:

11121 to S.

Structure No.:

Matrix Group:

Matrix Phase:

Samples taken: